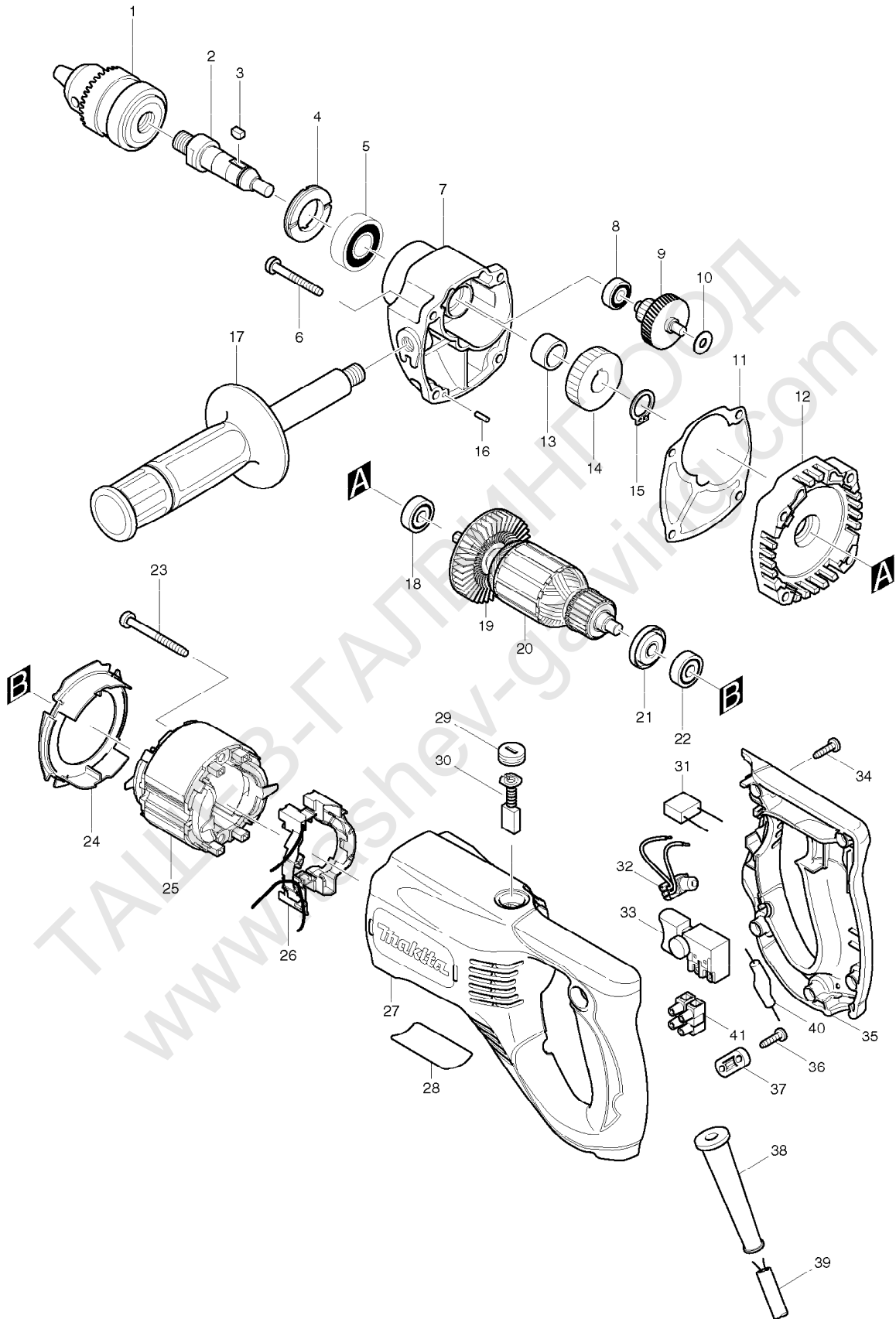


# SERVICE DRAWING

MODEL NO. 6305



# SPARE PARTS LIST

MODEL NO. 6305

ITEM	PART NO.	DESCRIPTION	QTY	NOTE
001	192877-8	Drill Chuck S13	1	
002	324259-8	SPINDLE	1	
003	254011-9	WOODRUFF KEY 4	1	
004	285807-7	BEARING RETAINER 22-36	1	
005	211206-7	BALL BEARING 6202LLB	1	
006	266211-9	TAPPING SCREW 5x40	4	
007	317551-9	GEAR HOUSING	1	
008	211021-9	BALL BEARING 607LLB	1	
009	226153-9	GEAR COMPLETE 12-41	1	
010	253804-1	FLAT WASHER 6	1	
011	*****	*****	***	*****
012	153386-2	Gear housing cover complete	1	
013	257719-4	SLEEVE 15	1	
014	226559-1	HELICAL GEAR 34	1	
015	961055-9	RETAINING RING S-15	1	
016	256180-2	PIN 3	1	
017	151965-0	GRIP 36 COMPLETE	1	
018	211031-6	BALL BEARING 608LLB	1	
019	241850-6	FAN 60	1	
020	513664-6	Armature Ass'y 240V INC. 18,19,21,22	1	
021	681644-1	INSULATION WASHER	1	
022	211031-6	BALL BEARING 608LLB	1	
023	266046-8	TAPPING SCREW 5x50	2	
024	419417-0	BAFFLE PLATE	1	
025	634549-4	FIELD 230-240V	1	
026	638443-2	SUPPORT COMPLETE	1	
027	154874-2	MOTOR HOUSING COMPLETE	1	
028	862255-3	NAME PLATE 6305	1	
029	643750-0	BRUSH HOLDER CAP	2	
030	191963-2	CARBON BRUSH CB-303	1	
031	645253-0	NOISE SUPPRESSOR	1	
032	631706-5	Pilot lamp	1	
033	650203-2	SWITCH SGEL115CD-1	1	
034	265995-6	TAPPING SCREW 4x18	5	
035	419416-2	HANDLE COVER	1	
036	265995-6	TAPPING SCREW 4x18	2	
037	687052-4	STRAIN RELIEF	1	
038	682559-5	CORD GUARD 8	1	
039	665394-6	POWER SUPPLY CORD 1.0-2-2.5	1	
040	646077-7	CHOKE COIL	1	
041	654531-7	TERMINAL BLOCK 2P	1	
A01	122645-5	STOPPER POLE ASS'Y	1	
A02	763432-9	CHUCK KEY S13	1	
A03	410102-8	KEY HOLDER	1	